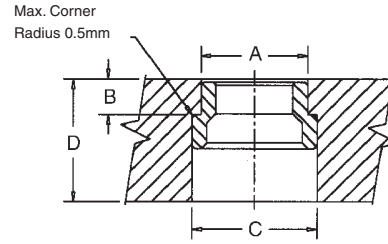
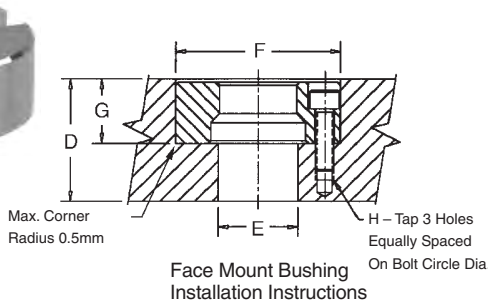


Stainless Steel Receiver Bushings

Two styles of receiver bushings are available. Installed bushings should be approximately 0.3mm below subplate surface.



Face Mount



Back Mount

Generally, the face mount receiver bushing is utilized in blind hole applications (Slip Fit).

The back mount receiver bushing is used in through hole applications (Light Press Fit).

Installation Dimensions

Face Mount

Shank Dia. (mm)	Face Mount Part Number	Actual O.D. -0.01 -0.02	Clearance Drill Diameter E	Bore +0.010 +0.003 F	Depth +0.025 -0.025 G	Tap Size & Depth ¹ H	Bolt Circle Diameter 3 PL Equally Spaced	Min. Subplate Thickness D
13	49556SS	35	13.5	35	11.91	M4x0.7 x 7	25	20
16	49557SS	37	21.0	37	11.91	M4x0.7 x 7	29	20
20	49551SS	45	21.0	45	16.21	M5x0.8 x 9	35	25
25	49552SS	55	25.5	55	20.32	M6x1.0 x 10	42	30
30	49553SS	60	30.5	60	22.15	M6x1.0 x 11	48	35
35	49554SS	70	40.0	70	22.99	M8x1.25 x 17	56	40
50	49555SS	92	55.0	92	31.50	M10x1.5 x 18	75	50

Back Mount

Shank Dia. (mm)	Back Mount Part Number	Actual O.D. +0.04 +0.03 A	Depth +0.025 -0.025 B	C-Bore ±0.15 C	Min. Subplate Thickness D
13	49566SS	20	6.92	26	20
16	49567SS	22	7.24	29	20
20	49561SS	28	8.74	33	25
25	49562SS	35	10.54	41	25
30	49563SS	42	10.95	49	30
35	49564SS	48	12.50	55	35
50	49565SS	67	15.75	76	45

¹Cap Screws Supplied with Face Mount Bushings.

Stainless Steel Liner Bushings for Fixture Plates



Locating repeatability will determine if one primary and one secondary or two primary liners are needed. With two primary liners, repeatability of ±0.013 mm can be maintained if the two holes for receiver bushings are held to a centerline distance of ±0.005 mm tolerance.

Note on Installation of Press Fit Liners & Back Mount Style Receiver Bushings:

To alleviate the possibility of binding the shank in the bore, the maximum interference fit between bore and bushing O.D. should not exceed 0.013 mm.

Liner Dimensions

Shank Diameter (mm)	Fixture Plate Thickness +0.13 -0.13	Primary Liner		Secondary Liner		Liner O.D. +0.00 -0.01
		Part Number	I.D.	Part Number	I.D.	
13	13	49755SS	13.01	49855SS	13.04	19.040
—	20	49756SS	—	49856SS	—	19.040
16	20	49757SS	16.01	49857SS	16.04	25.042
—	25	49758SS	—	49858SS	—	25.042
20	20	49751SS	20.01	49851SS	20.04	35.042
—	25	49752SS	—	49852SS	—	35.042
25	20	49761SS	25.01	49861SS	25.04	35.042
—	25	49762SS	—	49862SS	—	35.042
30	20	49771SS	30.01	49871SS	30.04	45.042
—	25	49772SS	—	49872SS	—	45.042
35	20	49781SS	35.01	49881SS	35.04	45.042
—	25	49782SS	—	49882SS	—	45.042
—	40	49783SS	—	49883SS	—	45.042
—	50	49784SS	—	49884SS	—	45.042
50	20	49791SS	50.01	49891SS	50.04	63.546
—	25	49792SS	—	49892SS	—	63.546
—	40	49793SS	—	49893SS	—	63.546
—	50	49794SS	—	49894SS	—	63.546

QUICK CHANGE FIXTURING » BALL LOCK® MOUNTING SYSTEM

METRIC